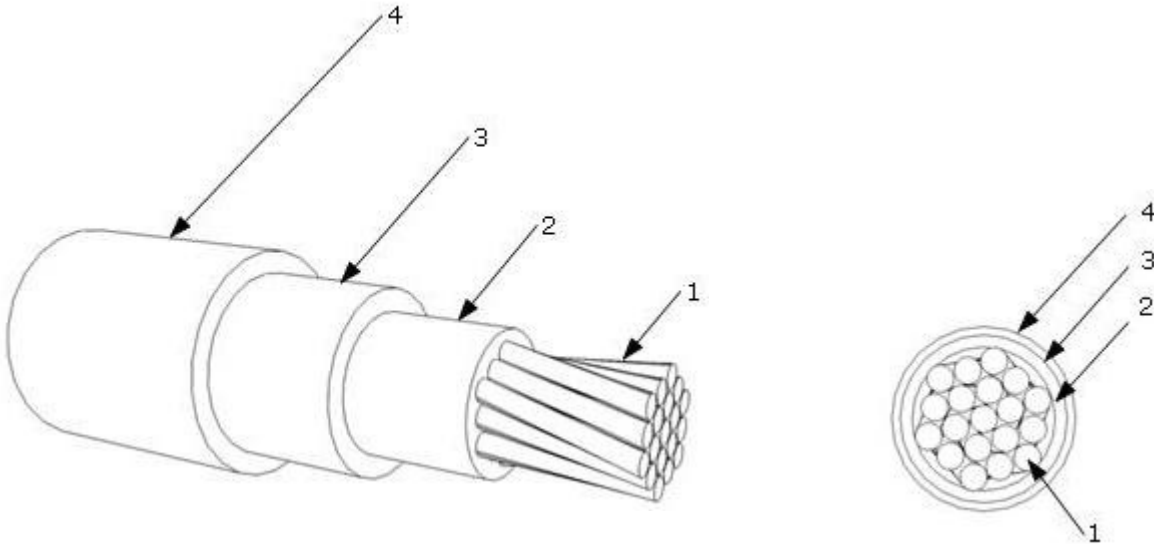


PVC/NYLON/PVC CABLE

CATHODIC PROTECTION

CABLE STANDARD CABLE

1. 1 Core Compressed Stranded Plain Annealed Copper 0.6/1 kV
2. PVC (V-90) Insulated (1 mm min avg wall)
3. Nylon Covered (0.3 mm nom wall)
4. PVC (5V-90) Sheathed (1.4 mm min avg wall)



Size	Nominal OD +/- 0.5 to 1.00mm	Diameter over Nylon +/- 0.5 to 1.00mm	Diameter over Inner Core +/- 0.5 to 1.00mm	Diameter of Copper Core +/- 0.5 to 1.00mm	Stock Code
6mm ²	8.6mm	5.7mm	5.1mm	3.1mm	832-93350
10mm ²	9.1mm	6.45mm	6.15mm	5.15mm	832-93352
16mm ²	10.3mm	7.5mm	6.9mm	4.9mm	832-93355
25mm ²	11.5mm	8.5mm	7.9mm	5.9mm	832-93360
35mm ²	12.7mm	9.9mm	9.3mm	6.9mm	832-93365

Manufactured to AS3000:2007 in Australia

All written data and statements herein are provided in good faith and believed to be reliable and appropriate at the time of drafting this document. However it is given without implied or express guarantee. Potential users are urged to trial and/or conduct conformity tests of the product to determine its suitability in application for a particular end use prior to purchase.

Vic/Tas/SA 03 9764 2651 melbourne@savcor.com.au	NSW 02 9807 4542 sydney@savcor.com.au	QLD/NT 07 5549 2248 brisbane@savcor.com.au	WA 08 6240 3900 perth@savcor.com.au
---	---	--	---