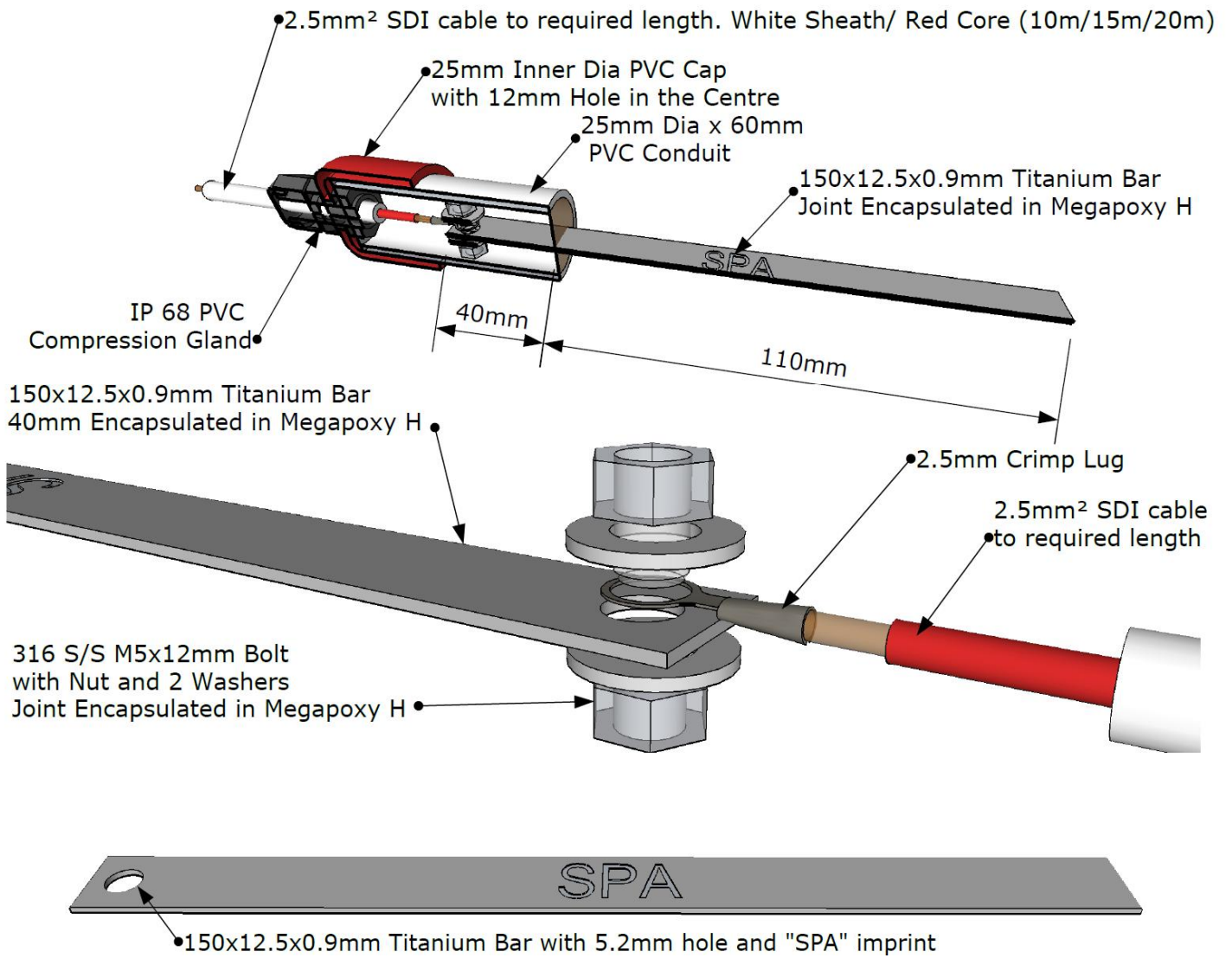
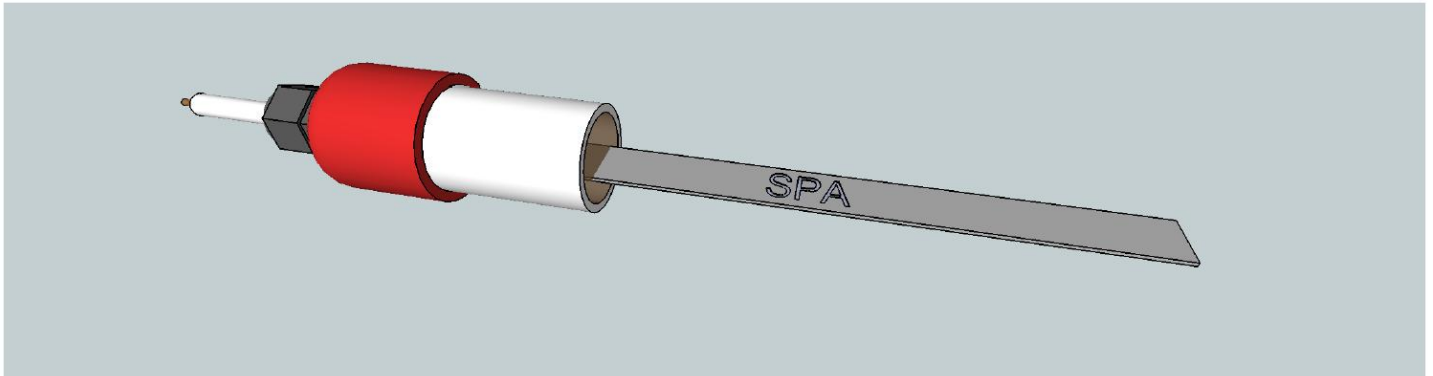


SPA Positive Anode Connection



All written data and statements herein are provided in good faith and believed to be reliable and appropriate at the time of drafting this document. However it is given without implied or express guarantee. Potential users are urged to trial and /or conduct conformity tests of the product to determine its suitability in application for a particular end use prior to purchase.

<p>Vic/Tas/SA 03 9764 2651 melbourne@savcor.com.au</p>	<p>NSW 02 9807 4542 sydney@savcor.com.au</p>	<p>QLD/NT 07 5549 2248 brisbane@savcor.com.au</p>	<p>WA 08 6240 3900 perth@savcor.com.au</p>
--	--	---	--